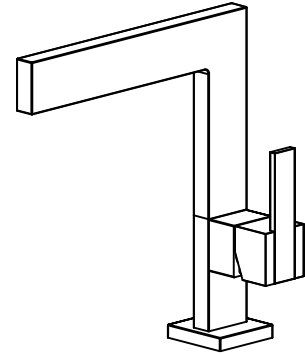


Single Hole Lavatory Faucet Collection: OPUS Series Model : MP1319

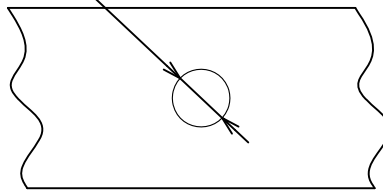
Features:

- Solid brass construction
- Pop-up drain included
- 3/8" compression hose included
- 1.5GPM @ 60PSI



Cut-Out Dimension:

$\varnothing 32$ [$\varnothing 1 \frac{5}{16}$]



Standards:

- CSA B125.1
- NSF/ANSI standard 61
- NSF/ANSI standard 372
- ASME A112.18.1

