

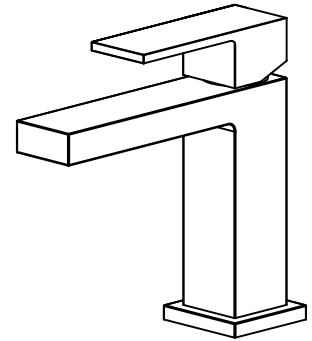
Single Hole Lavatory Faucet  
 Collection: OPUS Series  
 Model : MP1219

Features:

- Solid brass construction
- Pop-up drain included
- 3/8" compression hose included
- 1.5GPM @ 60PSI

Standards:

- CSA B125.1
- NSF/ANSI standard 61
- NSF/ANSI standard 372
- ASME A112.18.1



Cut-Out Dimension:

