

Features

- VibrAcoustic calms and soothes with sound vibration technology.
- Six concealed speakers send sound waves through the water to gently massage the body.
- Six original instrumental compositions offer different levels of relaxation.
- Syncs with devices enabled with BLUETOOTH® wireless technology including smartphones, MP3 players, tablets, and laptops located up to 33 feet away.*
- Customize your experience with the high-resolution color touch screen.
- Fully adjustable volume above and below the water.
- Functions as a hydrotherapy bath when full of water and a stereo system when empty.
- Chromatherapy lighting allows you to select a preferred color scheme to suit your mood.
- Molded lumbar support offers extra comfort while bathing.
- Oval-shaped basin offers a graceful and spacious bathing experience.
- Slotted overflow allows for deep soaking.
- Includes 25 feet of wiring and amplifier.
- Requires K-7271 or K-7272 Clearflo slotted overflow bath drain (sold separately).
- Center drain.

Material

- Acrylic

Hydrotherapy

- VibrAcoustic
- Chromatherapy

Installation

- Drop-in or under-mount.
- Requires 110V electrical service.

Additional Hydrotherapy Options

- Soaking Bath - 5717-0
- Soaking Bath + Bask heated surface - 5717-W1
- BubbleMassage air bath - 5718-G
- BubbleMassage air bath + chromatherapy - 5718-GCR
- VibrAcoustic + BubbleMassage air bath - 5718-GVB
- VibrAcoustic + BubbleMassage air bath + Bask heated surface + chromatherapy - 5718-GVBCW
- BubbleMassage air bath + Bask heated surface - 5718-GW
- Whirlpool + heater - 5718-H2
- VibrAcoustic - 5718-VB
- VibrAcoustic + chromatherapy - 5718-VBC



Codes/Standards

CSA B45.5/IAPMO Z124
ASTM E162
ASTM E662
UL 1795
CSA C22.2 No. 218.2

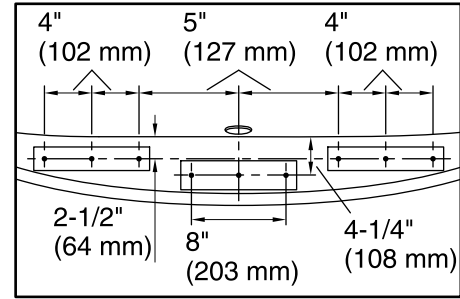
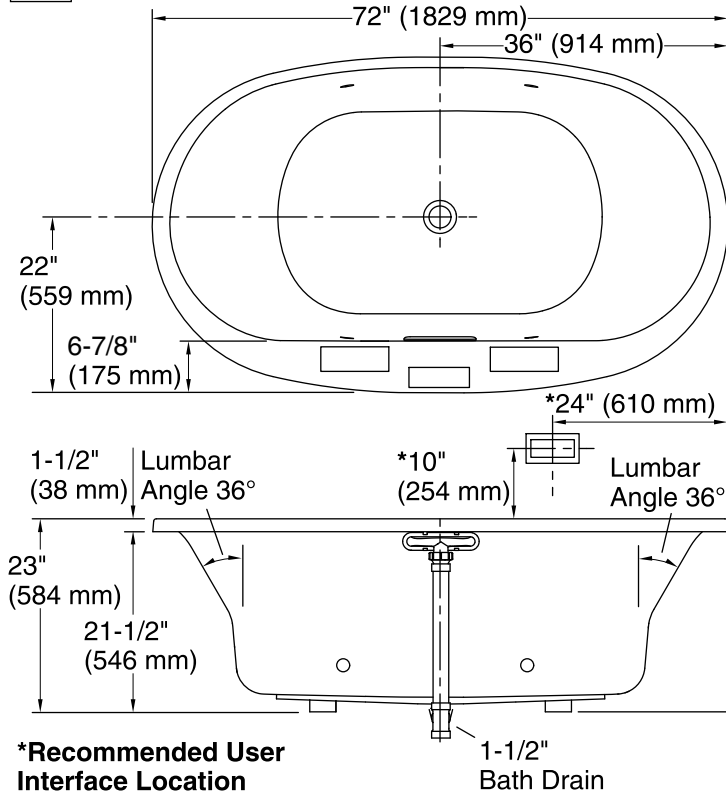
KOHLER® Plastic Baths and Receptors Lifetime Limited Warranty

See website for detailed warranty information.

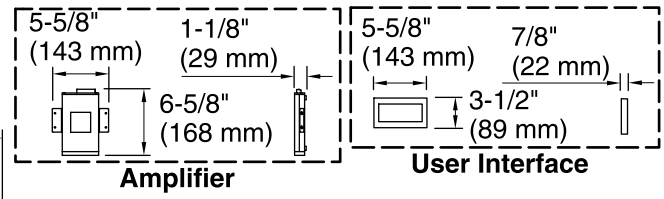
The BLUETOOTH® word mark and logos are registered trademarks owned by Bluetooth SIG, Inc. and any use of such marks by Kohler Co. is under license. Other trademarks and trade names are those of their respective owners.

No change in measurements if connected with drain illustrated. (K-7272)

□ Recommended Faucet Location

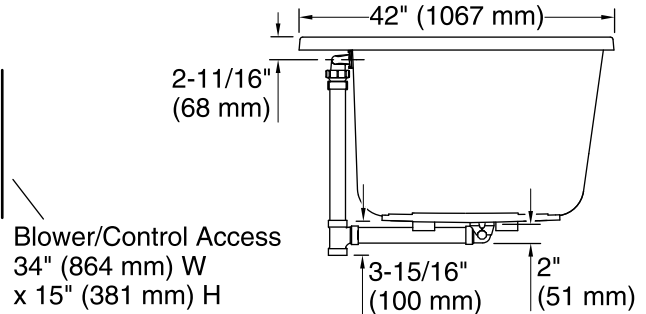


Recommended Faucet Hole Location



Amplifier

User Interface



Blower/Control Access
34" (864 mm) W
x 15" (381 mm) H

Required Electrical Service

One circuit required, protected with Class A Ground-Fault Circuit-Interrupter (GFCI). Outside North America, this device may be known as a Residual Current Device (RCD).

Amplifier: 120 V, 15 A, 50/60 Hz

Technical Information

All product dimensions are nominal.

Installation:	Drop-in, Under-mount
Drain location:	Center
Basin area, bottom:	46-5/16" x 31-3/16" (1177 mm x 792 mm)
Basin area, top:	63-7/16" x 34-1/4" (1611 mm x 869 mm)
Weight:	115 lbs (52.2 kg)
Minimum floor load:	52.7 lbs/ft ² (257.3 kg/m ²)
Water depth:	18-5/8" (472 mm)
Water capacity:	112.2 gal (424.7 L)
Template:	Drop-in, 1268440-7, required, included
Electrical component rating:	Amplifier: 120 V, 1.1 A, 50/60 Hz
Amplifier channels:	2 at 15 W per channel 2 at 30 W per channel
Bluetooth® range:	33 ft (0.8 m)

Notes

Measure your actual product for rough-in details. Install this product according to the installation instructions.

The hot water supply should be 70% of the capacity of the bath or greater. Installations will vary.

If installing a rim-mount faucet, make sure there is no interference above or below the deck before drilling any holes.