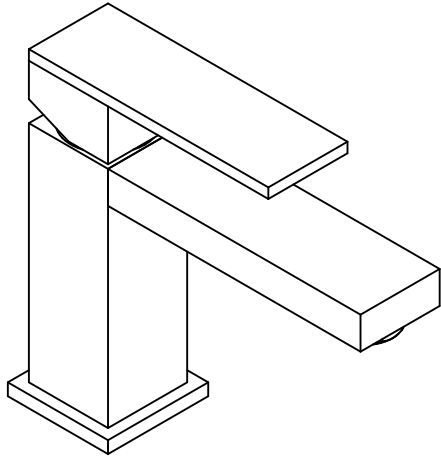


160.1000 | Single Hole Faucet



**SPECIFICATIONS:**

- Solid Brass construction
- Single Hole Installation
- 1.2 GPM Flow Rate @ 60 PSI
- Ceramic disc cartridge allows both volume and temperature control



**FINISHES :**

- Chrome - 160.1000CP, Brushed Nickel - 160.1000BN

**STANDARDS:**

- ASME A112.18.1 / CSA B125.1, NSF-61

LowFlow Capable



Legislation Compliance



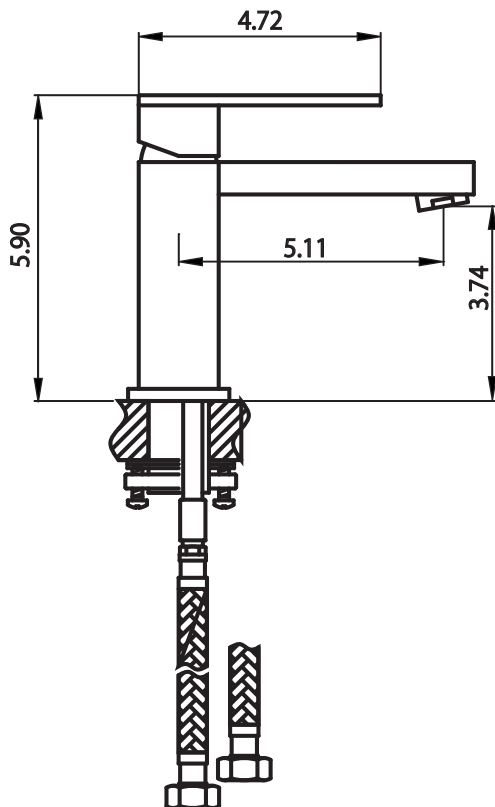
Low Lead Compliant



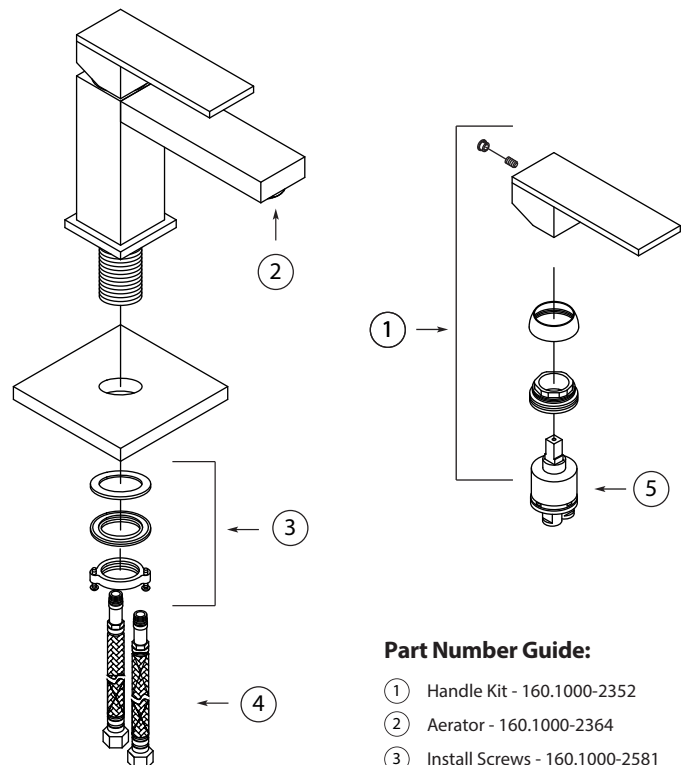
ZeroDrip Technology



**Technical Diagram**



**Exploded View**



**Part Number Guide:**

- ① Handle Kit - 160.1000-2352
- ② Aerator - 160.1000-2364
- ③ Install Screws - 160.1000-2581
- ④ 3/8" Hose - 100.1000-8738
- ⑤ Cartridge - 160.1000-9853